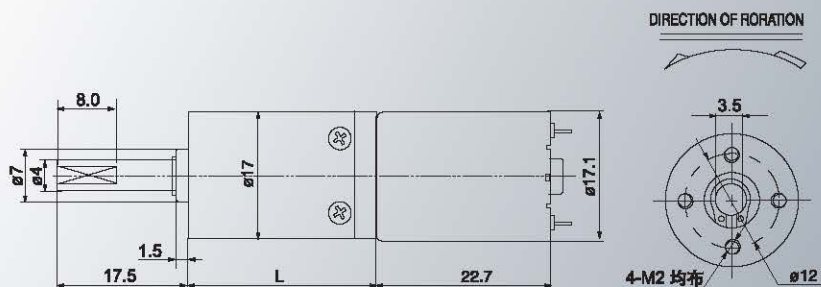


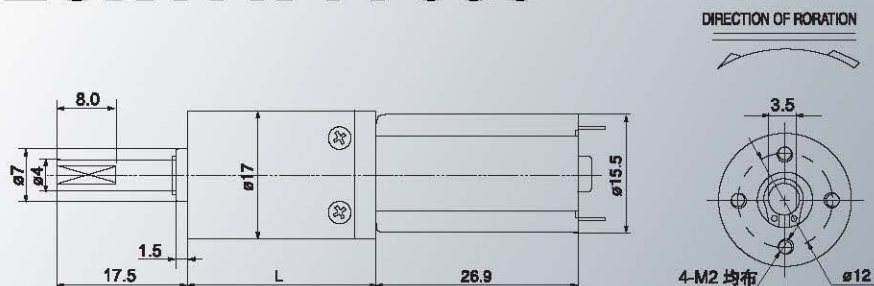
ZGX17RU



■技术参数 Technical Data

电压 Voltage(VDC)	6V	6V	6V	6V	6V	12V	12V	12V	12V	12V
马达型号 Motor Model	46U	46U	46U	46U	46U	56U	56U	56U	56U	56U
减速比 Reduction Ratio	1/509	1/428	1/361	1/256	1/107	1/509	1/428	1/361	1/256	1/107
齿轮箱长度 Gearbox Length(mm)	35.1	35.1	35.1	35.1	30.1	35.1	35.1	35.1	35.1	30.1
空载转速 No-Load Speed(Rpm)	9	10	12	17	40	10	13	15	20	50
额定转速 Rated Speed(Rpm)	8.3	7	8.5	11.8	28	6.8	9.1	10.5	14	35
额定力矩 Rated Torque(Kg.cm)	0.45	0.4	0.31	0.23	0.17	0.45	0.32	0.3	0.2	0.15
额定电流 Rated Current(Amp)	0.13	0.13	0.13	0.13	0.13	0.11	0.11	0.11	0.11	0.11

ZGX17R-FF050



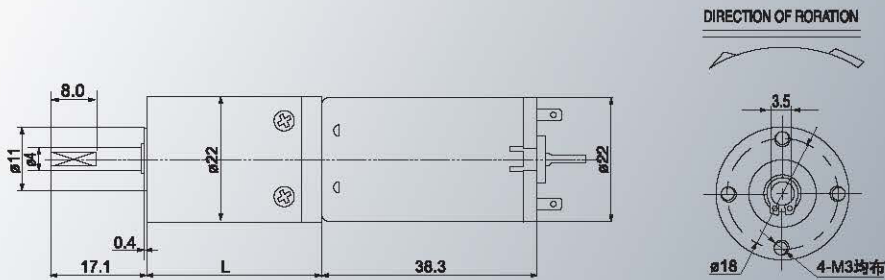
■技术参数 Technical Data

电压 Voltage(VDC)	6V	6V	6V	6V	6V	12V	12V	12V	12V	12V
马达型号 Motor Model	140-050	140-050	140-050	140-050	140-050	125-050	125-050	125-050	125-050	125-050
减速比 Reduction Ratio	1/509	1/428	1/361	1/256	1/107	1/509	1/428	1/361	1/256	1/107
齿轮箱长度 Gearbox Length(mm)	35.1	35.1	35.1	35.1	30.1	35.1	35.1	35.1	35.1	30.1
空载转速 No-Load Speed(Rpm)	9	10	12	17	40	10	13	15	20	50
额定转速 Rated Speed(Rpm)	6.5	7	8.3	11.9	28	7	9.1	10.5	14	35
额定力矩 Rated Torque(Kg.cm)	1.3	1.21	0.9	0.65	0.53	1.25	1.03	0.78	0.55	0.47
额定电流 Rated Current(Amp)	0.42	0.42	0.42	0.42	0.42	0.38	0.38	0.38	0.38	0.38

★备注: 1.若需要其它规格, 敬请来电联系 2.如若我以上规格产生变动, 请恕不再另行通知。

Remark: 1.If any specifications else you required are not listed above, Please contact us 2.The specifications are subject to change without notice.

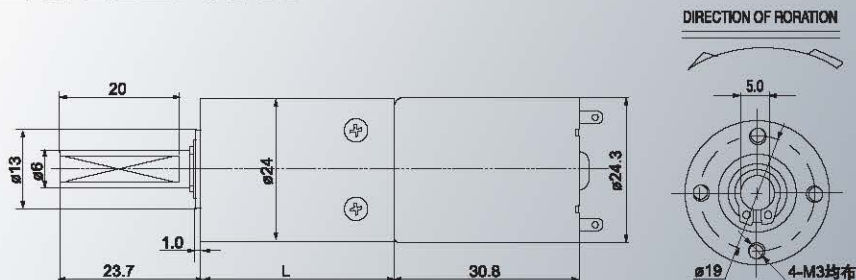
ZGX22RW



■技术参数 Technical Data

电压 Voltage(VDC)	12V	12V	12V	12V	12V	12V	12V	12V	12V	12V
马达型号 Motor Model	60W	60W	60W	60W	60W	60W	60W	60W	60W	60W
减速比 Reduction Ratio	1/1296	1/812	1/643	1/509	1/216	1/171	1/135	1/107	1/36	1/28.5
齿轮箱长度 Gearbox Length(mm)	41.7	41.7	41.7	41.7	36.2	36.2	36.2	36.2	30.7	30.7
空载转速 No-Load Speed(Rpm)	4	7	9	10	25	35	40	55	160	200
额定转速 Rated Speed(Rpm)	2.8	4.9	6.3	7	17.5	24.5	28	38.5	112	140
额定力矩 Rated Torque(Kg.cm)	10.7	10.7	8.2	8	3.8	3.1	2.9	1.7	0.9	0.79
额定电流 Rated Current(Amp)	0.33	0.33	0.33	0.33	0.33	0.33	0.33	0.33	0.33	0.33

ZGX24RP



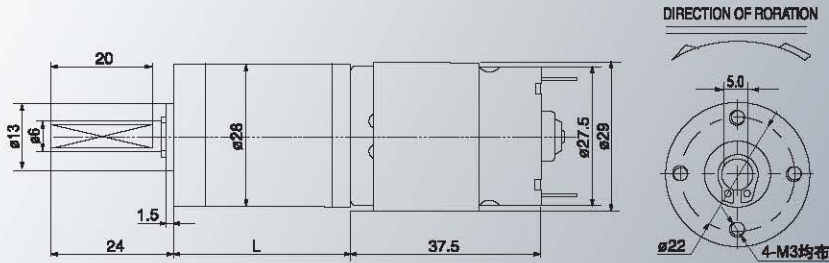
■技术参数 Technical Data

电压 Voltage(VDC)	12V	12V	12V	12V	12V	24V	24V	24V	24V	24V
马达型号 Motor Model	56P	56P	56P	56P	56P	47P	47P	47P	47P	47P
减速比 Reduction Ratio	1/812	1/643	1/509	1/216	1/135	1/812	1/643	1/509	1/216	1/135
齿轮箱长度 Gearbox Length(mm)	43.1	43.1	43.1	37.6	37.6	43.1	43.1	43.1	37.6	37.6
空载转速 No-Load Speed(Rpm)	6	8	10	25	40	5	7	9	20	30
额定转速 Rated Speed(Rpm)	4.2	5.6	7	17.5	28	3.5	4.9	6.3	14	21
额定力矩 Rated Torque(Kg.cm)	6	5.1	4.5	3.5	2.3	4.8	4.08	3.6	2.8	2.3
额定电流 Rated Current(Amp)	0.23	0.23	0.23	0.23	0.23	0.17	0.17	0.17	0.17	0.17

★备注: 1.若需要其它规格, 敬请来电联系 2.如若我以上规格产生变动, 请恕不再另行通知。

Remark: 1.If any specifications else you required are not listed above, Please contact us 2.The specifications are subject to change without notice.

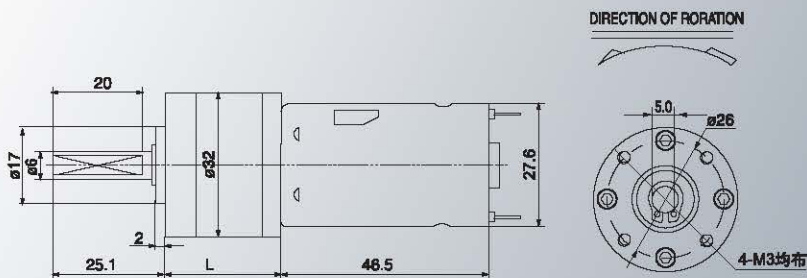
ZGX28RO



■技术参数 Technical Data

电压 Voltage(VDC)	12V	12V	12V	12V	12V	24V	24V	24V	24V	24V
马达型号 Motor Model	500	500	500	500	500	500	500	500	500	500
减速比 Reduction Ratio	1/509	1/316	1/256	1/107	1/76	1/519	1/316	1/256	1/107	1/76
齿轮箱长度 Gearbox Length(mm)	48.6	48.6	48.6	41.6	41.6	48.6	48.6	48.6	41.6	41.6
空载转速 No-Load Speed(Rpm)	9	15	20	45	60	10	15	20	45	60
额定转速 Rated Speed(Rpm)	6.3	10.5	14	31.5	42	7	10.5	14	31.5	42
额定力矩 Rated Torque(Kg.cm)	15.3	9.84	8.2	4.7	3.3	16.1	10.5	9.1	5.2	4.1
额定电流 Rated Current(Amp)	0.43	0.43	0.43	0.43	0.43	0.29	0.29	0.29	0.29	0.29

ZGX32R-395



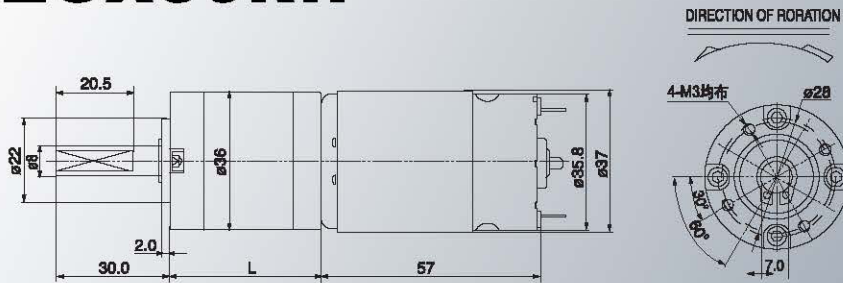
■技术参数 Technical Data

电压 Voltage(VDC)	12V	12V	12V	12V	12V	24V	24V	24V	24V	24V
马达型号 Motor Model	50-395	50-395	50-395	50-395	50-395	75-395	75-395	75-395	75-395	75-395
减速比 Reduction Ratio	1/462	1/221	1/166.9	1/99.6	1/43.3	1/724	1/462	1/221	1/166.9	1/99.6
齿轮箱长度 Gearbox Length(mm)	34	34	30	30	30	34	34	34	30	30
空载转速 No-Load Speed(Rpm)	10	20	30	50	110	10	15	30	40	70
额定转速 Rated Speed(Rpm)	7	14	21	35	77	7	10.5	21	28	49
额定力矩 Rated Torque(Kg.cm)	13	6.5	4.3	2.6	1.18	17	11.3	5.7	4.2	2.3
额定电流 Rated Current(Amp)	0.46	0.46	0.46	0.46	0.46	0.63	0.63	0.63	0.63	0.63

★备注: 1.若需要其它规格, 敬请来电联系 2.如若我以上规格产生变动, 请恕不再另行通知。

Remark: 1.If any specifications else you required are not listed above, Please contact us 2.The specifications are subject to change without notice.

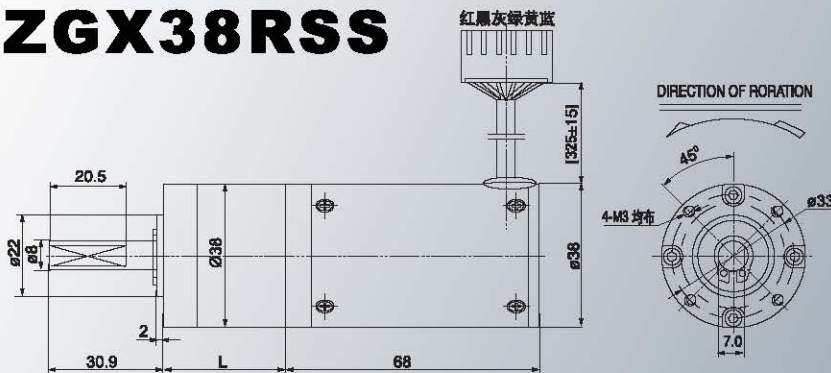
ZGX36RH



■技术参数 Technical Data

电压 Voltage(VDC)	12V	12V	12V	12V	12V	24V	24V	24V	24V	24V
马达型号 Motor Model	53H	53H	53H	53H	53H	53H	53H	53H	53H	53H
减速比 Reduction Ratio	1/625	1/525	1/411	1/311	1/175	1/625	1/525	1/411	1/311	1/125
齿轮箱长度 Gearbox Length(mm)	57.7	57.7	57.7	57.7	48.7	57.7	57.7	57.7	57.7	48.7
空载转速 No-Load Speed(Rpm)	8	10	12	15	40	8	10	12	15	40
额定转速 Rated Speed(Rpm)	5.6	7	8.4	10.5	28	5.6	7	8.4	10.5	28
额定力矩 Rated Torque(Kg.cm)	25	25	25	25	19.1	25	25	25	25	22.3
额定电流 Rated Current(Amp)	1.4	1.4	1.4	1.4	1.4	1.5	1.5	1.5	1.5	1.5

ZGX38RSS



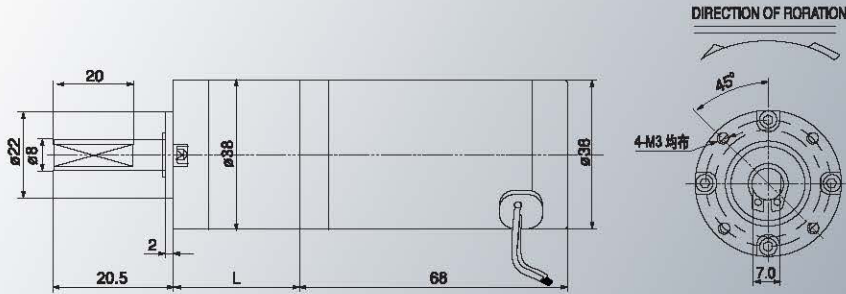
■技术参数 Technical Data

电压 Voltage(VDC)	12V	12V	12V	12V	12V	24V	24V	24V	24V	24V
马达型号 Motor Model	45SS	45SS	45SS	45SS	45SS	45SS	45SS	45SS	45SS	45SS
减速比 Reduction Ratio	1/768	1/665	1/556	1/465	1/256	1/768	1/665	1/556	1/465	1/256
齿轮箱长度 Gearbox Length(mm)	57.7	57.7	57.7	57.7	57.7	57.7	57.7	57.7	57.7	57.7
空载转速 No-Load Speed(Rpm)	5	6	8	10	15	5	6	8	10	15
额定转速 Rated Speed(Rpm)	3.5	4.2	5.6	7	10.5	3.5	4.2	5.6	7	10.5
额定力矩 Rated Torque(Kg.cm)	25	25	25	25	17	25	25	25	25	17.5
额定电流 Rated Current(Amp)	0.78	0.78	0.78	0.78	0.78	0.73	0.73	0.73	0.73	0.73

★备注: 1.若需要其它规格, 敬请来电联系 2.如若我以上规格产生变动, 请恕不再另行通知。

Remark: 1.If any specifications else you required are not listed above, Please contact us 2.The specifications are subject to change without notice.

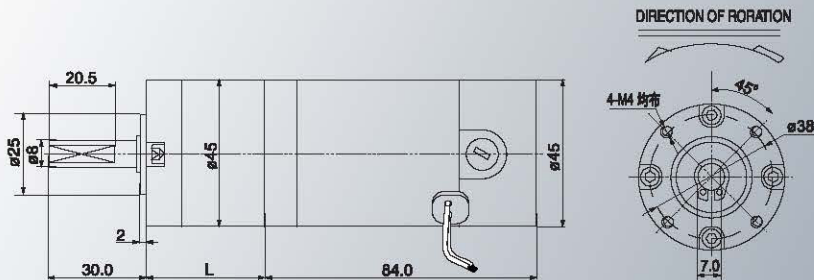
ZGX38REE



■技术参数 Technical Data

电压 Voltage(VDC)	12V	12V	12V	12V	12V	24V	24V	24V	24V	24V
马达型号 Motor Model	30EE	30EE	30EE	30EE	30EE	30EE	30EE	30EE	30EE	30EE
减速比 Reduction Ratio	1/768	1/665	1/556	1/465	1/294	1/768	1/665	1/556	1/294	1/294
齿轮箱长度 Gearbox Length(mm)	57.7	57.7	57.7	57.7	57.7	57.7	57.7	57.7	57.7	57.7
空载转速 No-Load Speed(Rpm)	3.5	4.5	5	6	10	3.5	4.5	5	10	15
额定转速 Rated Speed(Rpm)	2.4	3.1	3.5	4.2	7	2.4	3.1	3.5	7	10.5
额定力矩 Rated Torque(Kg.cm)	25	25	25	25	17	25	25	25	25	17
额定电流 Rated Current(Amp)	0.66	0.66	0.66	0.66	0.66	0.47	0.47	0.47	0.47	0.47

ZGX45RGG



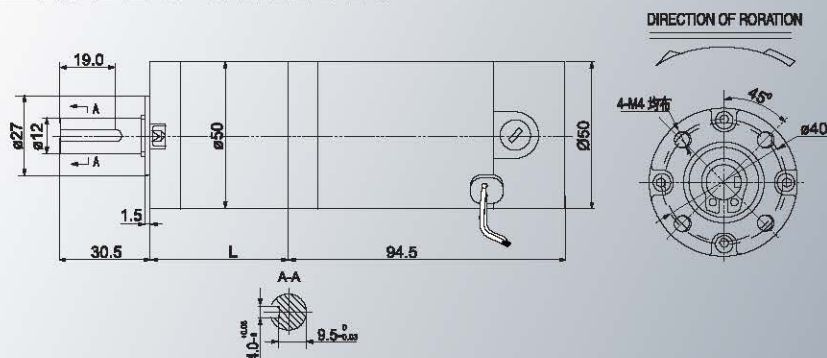
■技术参数 Technical Data

电压 Voltage(VDC)	12V	12V	12V	12V	12V	24V	24V	24V	24V	24V
马达型号 Motor Model	40GG	40GG	40GG	40GG	40GG	40GG	40GG	40GG	40GG	40GG
减速比 Reduction Ratio	1/972	1/675	1/562	1/162	1/36	1/972	1/675	1/562	1/162	1/36
齿轮箱长度 Gearbox Length(mm)	66.7	66.7	66.7	56.7	46.7	66.7	66.7	66.7	56.7	46.7
空载转速 No-Load Speed(Rpm)	4	6	7	20	110	4	6	7	20	66
额定转速 Rated Speed(Rpm)	2.8	4.2	4.9	14	77	2.8	4.2	4.9	14	46.2
额定力矩 Rated Torque(Kg.cm)	35	35	35	20	5	35	35	35	22	10.9
额定电流 Rated Current(Amp)	2.2	2.2	2.2	2.2	2.2	1.5	1.5	1.5	1.5	0.55

★备注: 1.若需要其它规格, 敬请来电联系 2.如若我以上规格产生变动, 请恕不再另行通知。

Remark: 1.If any specifications else you required are not listed above, Please contact us 2.The specifications are subject to change without notice.

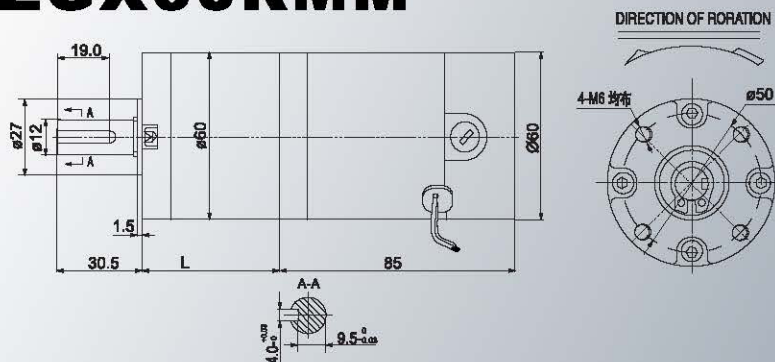
ZGX50RHH



■技术参数 Technical Data

电压 Voltage(VDC)	12V	12V	12V	12V	12V	24V	24V	24V	24V	24V
马达型号 Motor Model	35HH	35HH	35HH	35HH	35HH	35HH	35HH	35HH	35HH	35HH
减速比 Reduction Ratio	1/855	1/596	1/190	1/103.6	1/23	1/855	1/596	1/190	1/103.6	1/23
齿轮箱长度 Gearbox Length(mm)	85.2	85.2	71.2	71.2	57.2	85.2	85.2	71.2	71.2	57.2
空载转速 No-Load Speed(Rpm)	4	6	15	30	150	4	6	15	30	170
额定转速 Rated Speed(Rpm)	2.8	4.2	10.5	21	105	2.8	4.2	10.5	21	119
额定力矩 Rated Torque(Kg.cm)	50	50	50	31	17	50	50	50	35	20
额定电流 Rated Current(Amp)	2.7	2.7	2.7	2.7	2.7	3.1	3.1	3.1	3.1	3.1

ZGX60RMM



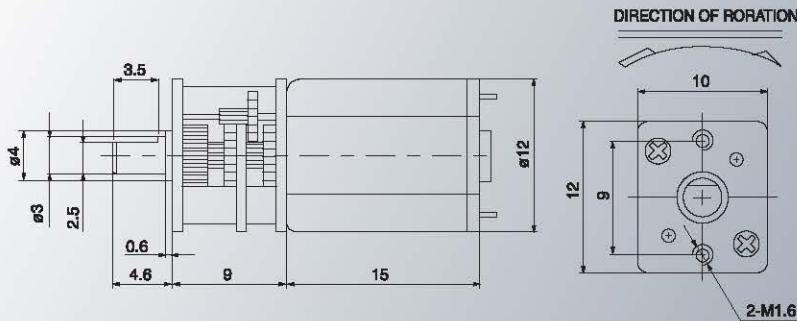
■技术参数 Technical Data

电压 Voltage(VDC)	12V	12V	12V	12V	12V	24V	24V	24V	24V	24V
马达型号 Motor Model	30MM	30MM	30MM	30MM	30MM	30MM	30MM	30MM	30MM	30MM
减速比 Reduction Ratio	1/763	1/526	1/414	1/179	1/79.5	1/763	1/526	1/414	1/179	1/79.5
齿轮箱长度 Gearbox Length(mm)	81.7	81.7	81.7	65.7	65.7	81.7	81.7	81.7	65.7	65.7
空载转速 No-Load Speed(Rpm)	4	6	7	15	35	4	6	7	15	35
额定转速 Rated Speed(Rpm)	2.8	4.2	4.9	10.5	24.5	2.8	4.2	4.9	10.5	24.5
额定力矩 Rated Torque(Kg.cm)	80	80	80	60.5	32	80	80	80	62	35
额定电流 Rated Current(Amp)	1.7	1.7	1.7	1.7	1.7	1.6	1.6	1.6	1.6	1.6

★备注: 1.若需要其它规格, 敬请来电联系 2.如若我以上规格产生变动, 请恕不再另行通知。

Remark: 1.If any specifications else you required are not listed above, Please contact us 2.The specifications are subject to change without notice.

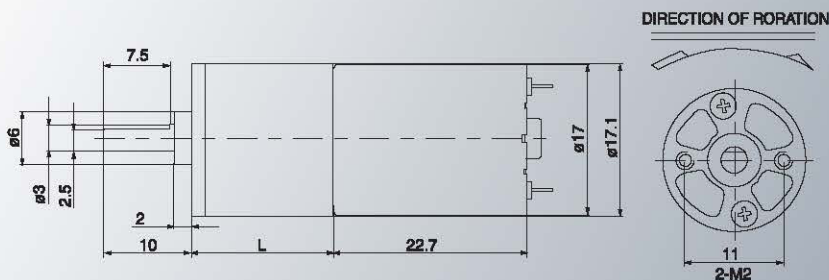
ZGA12FT



■技术参数 Technical Data

电压 Voltage(VDC)	6V	6V	6V	6V	6V	6V	6V	6V
减速比 Reduction Ratio	1/298	1/150	1/298	1/298	1/100	1/50	1/30	1/50
空载转速 No-Load Speed(Rpm)	35	60	70	80	120	200	330	400
额定转速 Rated Speed(Rpm)	30	50	58	60	100	180	300	350
额定力矩 Rated Torque(Kg.cm)	0.2	0.15	0.4	0.5	0.6	0.05	0.04	0.05
额定电流 Rated Current(Amp)	0.14	0.11	0.21	0.21	0.21	0.095	0.085	0.1

ZGA17RU



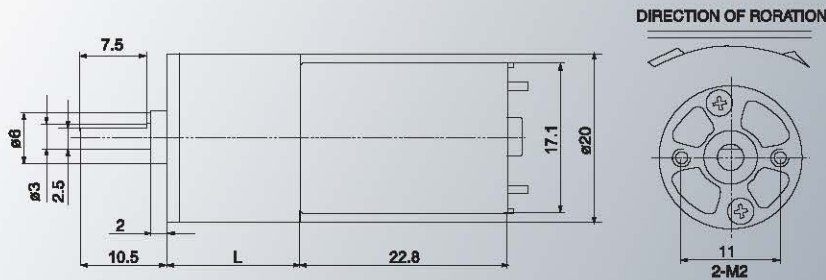
■技术参数 Technical Data

电压 Voltage(VDC)	6V	6V	6V	6V	6V	12V	12V	12V	12V	12V
马达型号 Motor Model	46U	46U	46U	46U	46U	56U	56U	56U	56U	56U
减速比 Reduction Ratio	1/877	1/419	1/200	1/95.8	1/45.8	1/877	1/419	1/200	1/95.8	1/45.8
齿轮箱长度 Gearbox Length(mm)	24	22	20	18.1	16.5	24	22	20	18.1	16.5
空载转速 No-Load Speed(Rpm)	5	10	23	45	100	5	10	25	55	120
额定转速 Rated Speed(Rpm)	3.5	7	16.1	31.5	70	3.5	7	17.5	38.5	84
额定力矩 Rated Torque(Kg.cm)	1.4	1.1	0.95	0.6	0.3	1.6	1.25	0.98	0.62	0.31
额定电流 Rated Current(Amp)	0.12	0.12	0.12	0.12	0.12	0.11	0.11	0.11	0.11	0.11

★备注: 1.若需要其它规格, 敬请来电联系 2.如若我以上规格产生变动, 请恕不再另行通知。

Remark: 1.If any specifications else you required are not listed above, Please contact us 2.The specifications are subject to change without notice.

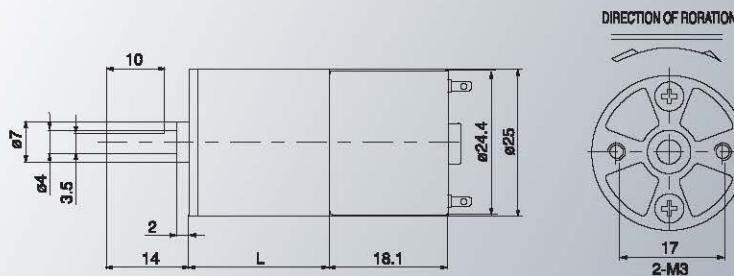
ZGA20RU



■技术参数 Technical Data

电压 Voltage(VDC)	6V	6V	6V	6V	12V	12V	12V	12V
马达型号 Motor Model	46U	46U	46U	46U	56U	56U	56U	56U
减速比 Reduction Ratio	1/1100	1/458	1/191	1/79.6	1/1100	1/458	1/191	1/79.6
齿轮箱长度 Gearbox Length(mm)	24	22	20	18.1	24	22	20	18.1
空载转速 No-Load Speed(Rpm)	4	10	20	60	5	10	25	70
额定转速 Rated Speed(Rpm)	2.8	7	14	42	3.5	7	17.5	49
额定力矩 Rated Torque(Kg.cm)	1.4	1.1	1.05	0.6	1.7	1.25	0.98	0.51
额定电流 Rated Current(Amp)	0.12	0.12	0.12	0.12	0.11	0.11	0.11	0.11

ZGA25RQ



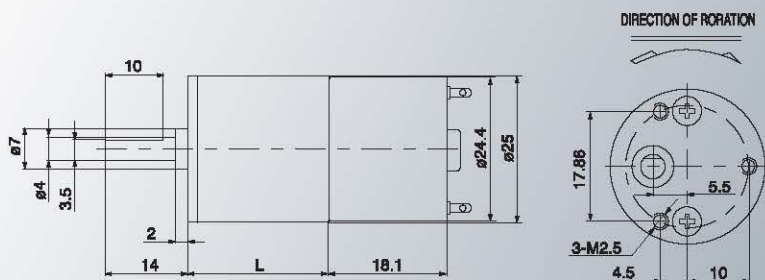
■技术参数 Technical Data

电压 Voltage(VDC)	3V	6V	6V	6V	6V	6V
马达型号 Motor Model	40Q	50Q	50Q	50Q	50Q	50Q
减速比 Reduction Ratio	1/474	1/253	1/216	1/156	1/98	1/60.5
齿轮箱长度 Gearbox Length(mm)	27	24	24	24	22	22
空载转速 No-Load Speed(Rpm)	6.5	18	20	30	50	80
额定转速 Rated Speed(Rpm)	4.5	12.6	14	21	35	56
额定力矩 Rated Torque(Kg.cm)	2.1	1.05	0.93	0.63	0.37	0.23
额定电流 Rated Current(Amp)	0.17	0.19	0.19	0.19	0.19	0.19

★备注: 1.若需要其它规格, 敬请来电联系 2.如若我司以上规格产生变动, 请恕不再另行通知。

Remark: 1.If any specifications else you required are not listed above, Please contact us 2.The specifications are subject to change without notice.

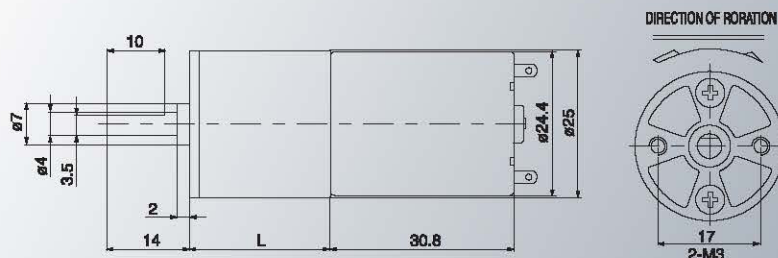
ZGB25RQ



■技术参数 Technical Data

电压 Voltage(VDC)	3V	6V	6V	6V	6V	6V
马达型号 Motor Model	40Q	50Q	50Q	50Q	50Q	50Q
减速比 Reduction Ratio	1/474	1/253	1/216	1/156	1/98	1/60.5
齿轮箱长度 Gearbox Length(mm)	27	24	24	24	22	22
空载转速 No-Load Speed(Rpm)	6.5	18	20	30	50	80
额定转速 Rated Speed(Rpm)	4.5	12.6	14	21	35	56
额定力矩 Rated Torque(Kg.cm)	2.1	1.05	0.93	0.63	0.37	0.23
额定电流 Rated Current(Amp)	0.17	0.19	0.19	0.19	0.19	0.19

ZGA25RP



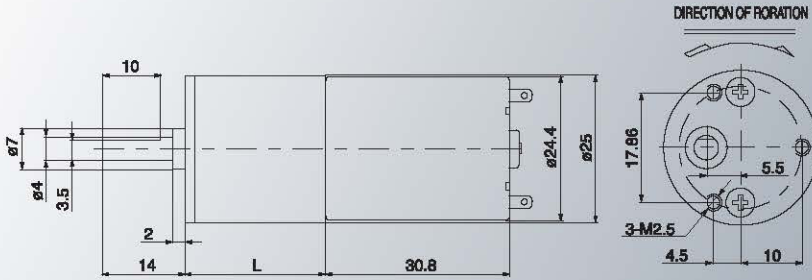
■技术参数 Technical Data

电压 Voltage(VDC)	6V	6V	6V	12V	12V	12V	12V	24V	24V	24V
马达型号 Motor Model	45P	45P	45P	23P	56P	56P	83P	47P	47P	47P
减速比 Reduction Ratio	1/292	1/156	1/71	1/474	1/184	1/113	1/83	1/216	1/71	1/37.9
齿轮箱长度 Gearbox Length(mm)	27	24	22	27	24	24	22	24	22	19
空载转速 No-Load Speed(Rpm)	15	30	60	5	30	50	100	20	60	120
额定转速 Rated Speed(Rpm)	10.5	21	42	3.5	21	35	70	14	42	84
额定力矩 Rated Torque(Kg.cm)	1.4	0.75	0.35	2.9	1.45	0.87	1.4	2.9	0.95	0.46
额定电流 Rated Current(Amp)	0.22	0.22	0.22	0.1	0.16	0.16	0.4	0.13	0.13	0.13

★备注: 1.若需要其它规格, 敬请来电联系 2.如若我司以上规格产生变动, 请恕不再另行通知。

Remark: 1.If any specifications else you required are not listed above, Please contact us 2.The specifications are subject to change without notice.

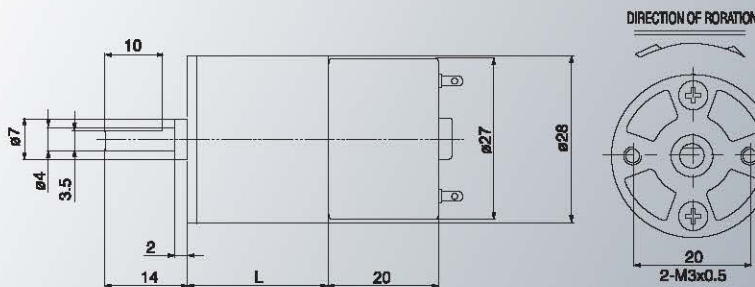
ZGB25RP



■技术参数 Technical Data

电压 Voltage(VDC)	6V	6V	6V	12V	12V	12V	12V	24V	24V	24V
马达型号 Motor Model	45P	45P	45P	23P	56P	56P	83P	47P	47P	47P
减速比 Reduction Ratio	1/292	1/156	1/71	1/474	1/184	1/113	1/83	1/216	1/71	1/37.9
齿轮箱长度 Gearbox Length(mm)	27	24	22	27	24	24	22	24	22	19
空载转速 No-Load Speed(Rpm)	15	30	60	5	30	50	100	20	60	120
额定转速 Rated Speed(Rpm)	10.5	21	42	3.5	21	35	70	14	42	84
额定力矩 Rated Torque(Kg.cm)	1.4	0.75	0.35	2.9	1.45	0.87	1.4	2.9	0.95	0.46
额定电流 Rated Current(Amp)	0.22	0.22	0.22	0.1	0.16	0.16	0.4	0.13	0.13	0.13

ZGA28RQ



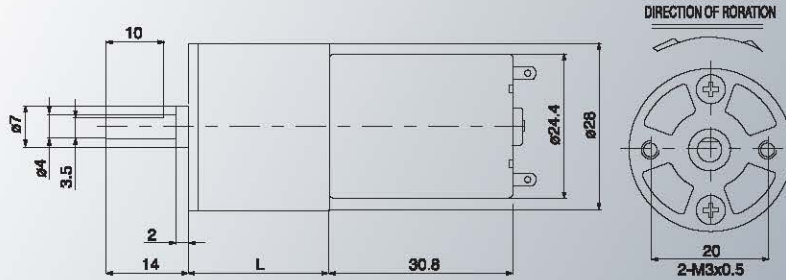
■技术参数 Technical Data

电压 Voltage(VDC)	6V	6V	6V	6V
马达型号 Motor Model	45Q	45Q	45Q	45Q
减速比 Reduction Ratio	1/147	1/74	1/348	1/412
齿轮箱长度 Gearbox Length(mm)	24.5	22.5	26.5	26.5
空载转速 No-Load Speed(Rpm)	30	60	13	10
额定转速 Rated Speed(Rpm)	21	42	9.1	7
额定力矩 Rated Torque(Kg.cm)	0.35	0.175	0.95	1.3
额定电流 Rated Current(Amp)	0.17	0.17	0.17	0.17

★备注: 1.若需要其它规格, 敬请来电联系 2.如若我以上规格产生变动, 请恕不再另行通知。

Remark: 1.If any specifications else you required are not listed above, Please contact us 2.The specifications are subject to change without notice.

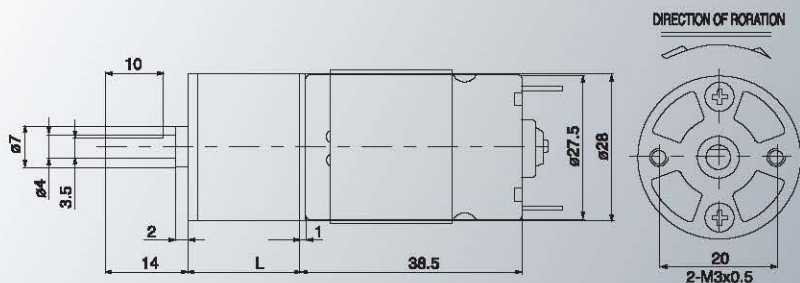
ZGA28RP



■技术参数 Technical Data

电压 Voltage(VDC)	6V	6V	12V	12V	12V	24V
马达型号 Motor Model	45P	45P	23P	56P	83P	47P
减速比 Reduction Ratio	1/147.5	1/47.5	1/412	1/412	1/412	1/37.9
齿轮箱长度 Gearbox Length(mm)	24.5	22.5	26.5	26.5	26.5	22.5
空载转速 No-Load Speed(Rpm)	30	90	5	12	20	120
额定转速 Rated Speed(Rpm)	21	63	3.5	8.4	14	84
额定力矩 Rated Torque(Kg.cm)	2.3	0.77	3.5	4.8	4.2	0.6
额定电流 Rated Current(Amp)	0.32	0.32	0.1	0.16	0.4	0.13

ZGA28RO



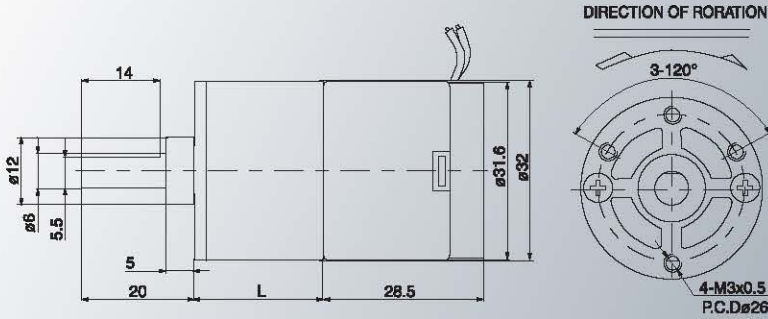
■技术参数 Technical Data

电压 Voltage(VDC)	12V	12V	24V	24V	24V	24V
马达型号 Motor Model	500	500	1000	500	1000	1000
减速比 Reduction Ratio	1/412	1/249	1/412	1/174	1/249	1/62
齿轮箱长度 Gearbox Length(mm)	26.5	26.5	26.5	24.5	26.5	22.5
空载转速 No-Load Speed(Rpm)	10	20	20	30	40	160
额定转速 Rated Speed(Rpm)	7	14	14	21	28	112
额定力矩 Rated Torque(Kg.cm)	10.5	4.56	11	8.7	11	2.75
额定电流 Rated Current(Amp)	0.45	0.45	0.78	0.3	0.78	0.78

★备注: 1.若需要其它规格, 敬请来电联系 2.如若我以上规格产生变动, 请恕不再另行通知。

Remark: 1.If any specifications else you required are not listed above, Please contact us 2.The specifications are subject to change without notice.

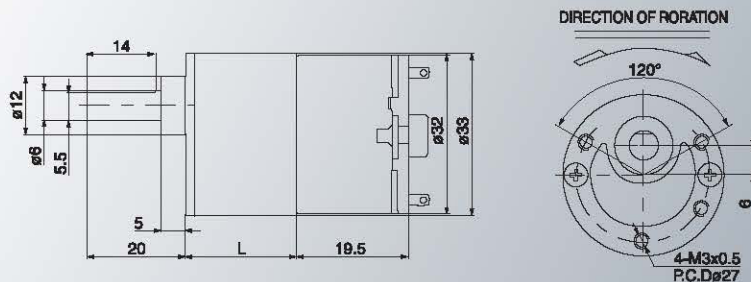
ZGA32RB



■技术参数 Technical Data

电压 Voltage(VDC)	6V	12V	12V	12V	24V	24V	24V
马达型号 Motor Model	35B	30A	33B	50A	30B	70B	50A
减速比 Reduction Ratio	1/79.6	1/458	1/191	1/191	1/458	1/458	1/5.76
齿轮箱长度 Gearbox Length(mm)	22.5	26.5	24.5	24.5	26.5	26.5	22.5
空载转速 No-Load Speed(Rpm)	40	6	15	25	6	15	800
额定转速 Rated Speed(Rpm)	28	4.2	10.5	17.5	4.2	10.5	560
额定力矩 Rated Torque(Kg.cm)	0.94	7	2.3	1.7	5.8	6	0.17
额定电流 Rated Current(Amp)	0.28	0.17	0.1	0.27	0.1	0.15	0.17

ZGB33RV

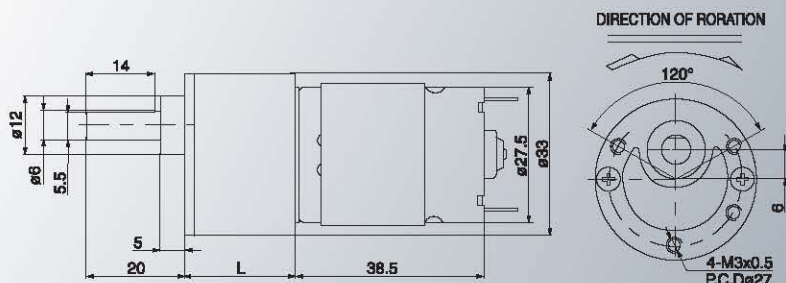


■技术参数 Technical Data

电压 Voltage(VDC)	12V	12V	12V	12V
马达型号 Motor Model	50V	50V	50V	50V
减速比 Reduction Ratio	1/611	1/254	1/52	1/106
齿轮箱长度 Gearbox Length(mm)	27.2	24.5	22.5	22.5
空载转速 No-Load Speed(Rpm)	8	20	96	45
额定转速 Rated Speed(Rpm)	5.6	14	67.2	31.5
额定力矩 Rated Torque(Kg.cm)	7.2	2.9	0.6	1.28
额定电流 Rated Current(Amp)	0.17	0.17	0.17	0.17

★备注: 1.若需要其它规格, 敬请来电联系 2.如若我以上规格产生变动, 请恕不再另行通知。
Remark: 1.If any specifications else you required are not listed above, Please contact us 2.The specifications are subject to change without notice.

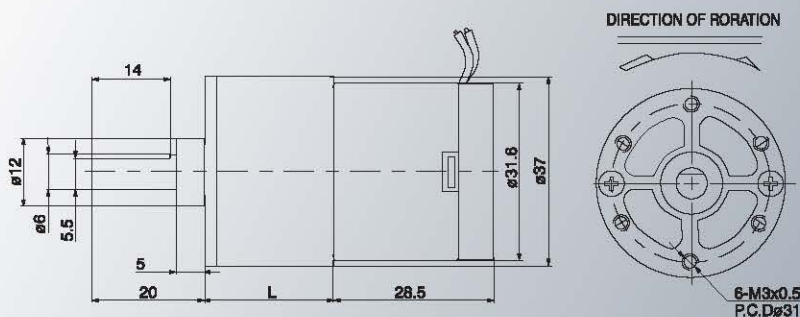
ZGB33RO



■技术参数 Technical Data

电压 Voltage(VDC)	12V	12V	12V	12V	24V	24V	24V	24V
马达型号 Motor Model	500	500	500	500	500	500	500	500
减速比 Reduction Ratio	1/611	1/254	1/106	1/52	1/611	1/254	1/106	1/52
齿轮箱长度 Gearbox Length(mm)	27.2	24.5	22.5	22.5	27.2	24.5	22.5	22.5
空载转速 No-Load Speed(Rpm)	8	20	45	96	8	20	45	96
额定转速 Rated Speed(Rpm)	5.6	14	31.5	67.2	5.6	14	31.5	67.2
额定力矩 Rated Torque(Kg.cm)	12.5	5	2.1	1.03	13.1	5.5	2.35	1.2
额定电流 Rated Current(Amp)	0.45	0.45	0.45	0.45	0.3	0.3	0.3	0.3

ZGA37RB



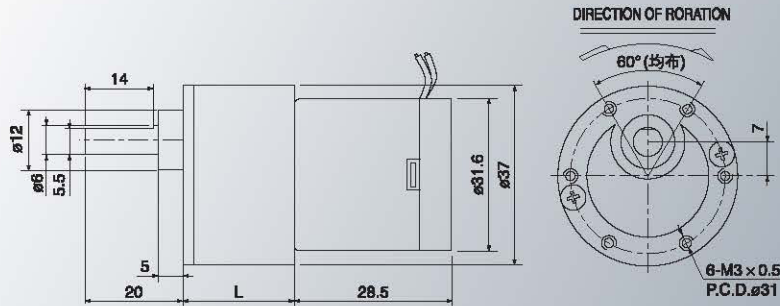
■技术参数 Technical Data

电压 Voltage(VDC)	12V	12V	12V	12V	12V
马达型号 Motor Model	70B	70B	70B	70B	70B
减速比 Reduction Ratio	1/438	1/267	1/188	1/104	1/40
齿轮箱长度 Gearbox Length(mm)	30.5	29.5	29.5	26.5	24.5
空载转速 No-Load Speed(Rpm)	15	20	35	65	170
额定转速 Rated Speed(Rpm)	10.5	14	24.5	45.5	119
额定力矩 Rated Torque(Kg.cm)	9.5	7.1	4	2.1	0.83
额定电流 Rated Current(Amp)	0.49	0.49	0.49	0.49	0.49

★备注: 1.若需要其它规格, 敬请来电联系 2.如若我以上规格产生变动, 请恕不再另行通知。

Remark: 1.If any specifications else you required are not listed above, Please contact us 2.The specifications are subject to change without notice.

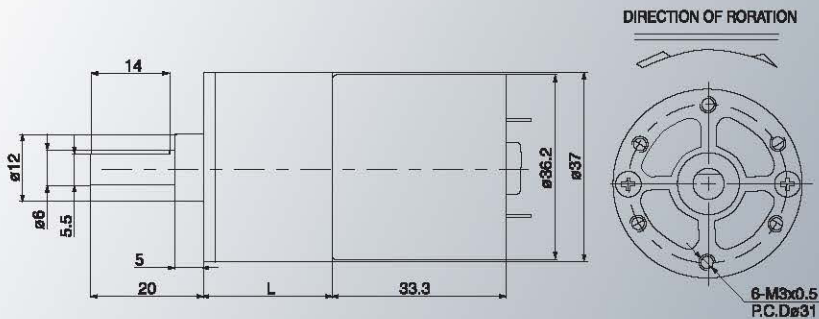
ZGB37RB



■技术参数 Technical Data

电压 Voltage(VDC)	12V	12V	12V	12V	12V
马达型号 Motor Model	70B	70B	70B	70B	70B
减速比 Reduction Ratio	1/516	1/227	1/148	1/95	1/47.5
齿轮箱长度 Gearbox Length(mm)	30.5	29.5	26.5	26.5	24.5
空载转速 No-Load Speed(Rpm)	13	30	45	70	140
额定转速 Rated Speed(Rpm)	9.1	21	31.5	49	98
额定力矩 Rated Torque(Kg.cm)	10.7	4.6	3	1.9	0.93
额定电流 Rated Current(Amp)	0.49	0.49	0.49	0.49	0.49

ZGA37RG



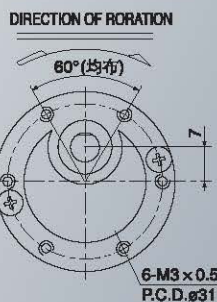
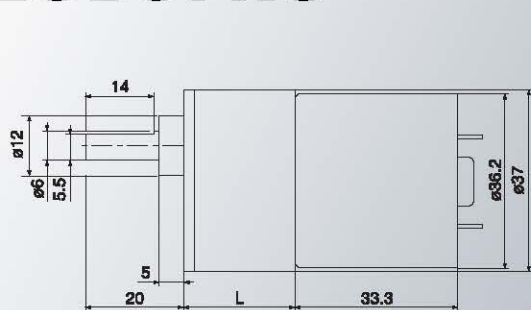
■技术参数 Technical Data

电压 Voltage(VDC)	12V	12V	12V	12V	12V	24V	24V	24V	24V	24V
马达型号 Motor Model	17G	50G	50G	50G	35G	35G	50G	50G	50G	50G
减速比 Reduction Ratio	1/267	1/242	1/188	1/104	1/345	1/686	1/242	1/188	1/104	1/40
齿轮箱长度 Gearbox Length(mm)	29.5	29.5	29.5	26.5	24.5	30.5	29.5	29.5	26.5	24.5
空载转速 No-Load Speed(Rpm)	5	20	30	50	100	5	20	30	50	120
额定转速 Rated Speed(Rpm)	3.5	14	21	35	70	3.5	14	21	35	84
额定力矩 Rated Torque(Kg.cm)	7.18	15	14	8.8	4.5	15	15	10.5	6.3	3.95
额定电流 Rated Current(Amp)	0.16	1.1	1.1	1.1	1.1	0.25	0.36	0.36	0.36	0.36

★备注: 1.若需要其它规格, 敬请来电联系 2.如若我以上规格产生变动, 请恕不再另行通知。

Remark: 1.If any specifications else you required are not listed above, Please contact us 2.The specifications are subject to change without notice.

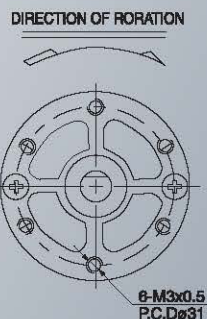
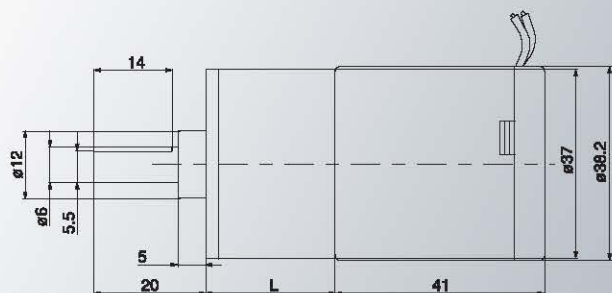
ZGB37RG



■技术参数 Technical Data

电压 Voltage(VDC)	12V	12V	12V	12V	12V	24V	24V	24V	24V	24V
马达型号 Motor Model	25G	50G	50G	50G	50G	35G	50G	50G	50G	50G
减速比 Reduction Ratio	1/516	1/227	1/148	1/95	1/47.5	1/516	1/227	1/148	1/95	1/47.5
齿轮箱长度 Gearbox Length(mm)	30.5	29.5	26.5	26.5	24.5	30.5	29.5	26.5	26.5	24.5
空载转速 No-Load Speed(Rpm)	5	20	30	50	100	6	20	30	50	100
额定转速 Rated Speed(Rpm)	3.5	14	21	35	70	4.2	14	21	35	70
额定力矩 Rated Torque(Kg.cm)	15	15	12	7.2	3.6	15	13	8.6	4.8	2.6
额定电流 Rated Current(Amp)	0.18	0.92	0.92	0.92	0.92	0.33	0.33	0.33	0.33	0.33

ZGA37RE



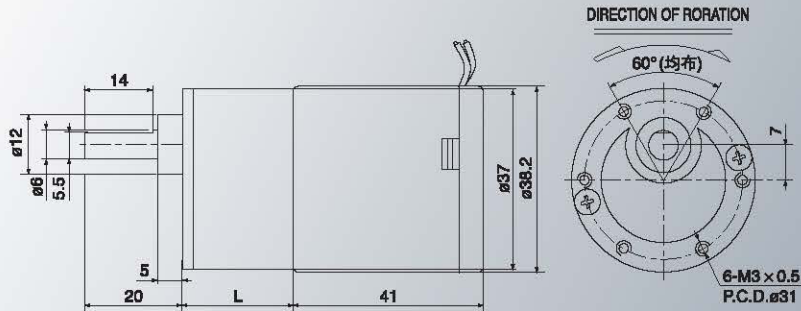
■技术参数 Technical Data

电压 Voltage(VDC)	12V	24V	24V
马达型号 Motor Model	40E	50E	40E
减速比 Reduction Ratio	1/267	1/188	1/31.6
齿轮箱长度 Gearbox Length(mm)	29.5	29.5	24.5
空载转速 No-Load Speed(Rpm)	15	27	120
额定转速 Rated Speed(Rpm)	10.5	18.9	84
额定力矩 Rated Torque(Kg.cm)	13.6	7.8	3.5
额定电流 Rated Current(Amp)	0.67	0.51	0.45

★备注: 1.若需要其它规格, 敬请来电联系 2.如若我以上规格产生变动, 请恕不再另行通知。

Remark: 1.If any specifications else you required are not listed above, Please contact us 2.The specifications are subject to change without notice.

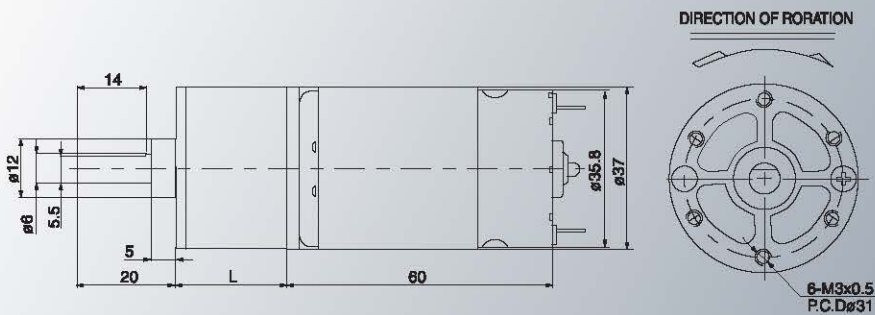
ZGB37RE



■技术参数 Technical Data

电压 Voltage(VDC)	12V	24V	24V	24V	24V
马达型号 Motor Model	35E	35E	30E	50E	45E
减速比 Reduction Ratio	1/17.4	1/314	1/94.5	1/31	1/7.4
齿轮箱长度 Gearbox Length(mm)	22.5	29.5	26.5	24.5	22.5
空载转速 No-Load Speed(Rpm)	200	11	30	150	600
额定转速 Rated Speed(Rpm)	140	7.7	27	105	420
额定力矩 Rated Torque(Kg.cm)	1.3	7.3	2.1	2.7	0.71
额定电流 Rated Current(Amp)	0.55	0.35	0.27	0.51	0.44

ZGA37RH



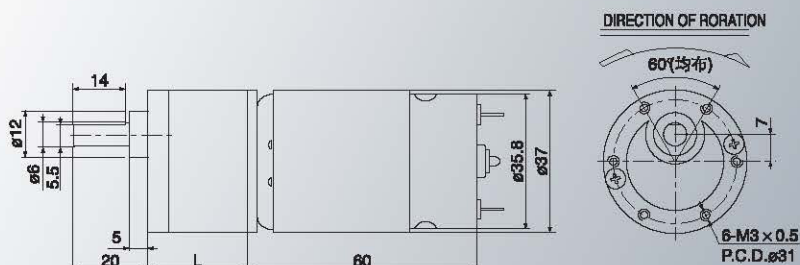
■技术参数 Technical Data

电压 Voltage(VDC)	12V	12V	12V	12V	12V	24V	24V	24V	24V	24V
马达型号 Motor Model	30H	37H	53H	37H	53H	37H	37H	53H	37H	53H
减速比 Reduction Ratio	1/308	1/139	1/139	1/60	1/26	1/308	1/139	1/139	1/60	1/26
齿轮箱长度 Gearbox Length(mm)	32.5	29.5	29.5	26.5	24.5	32.5	29.5	29.5	26.5	24.5
空载转速 No-Load Speed(Rpm)	10	25	40	60	200	10	25	40	60	200
额定转速 Rated Speed(Rpm)	7	17.5	28	42	140	7	17.5	28	42	140
额定力矩 Rated Torque(Kg.cm)	15	15	15	6.5	5.8	15	15	15	10.7	8.9
额定电流 Rated Current(Amp)	1.4	1.4	2.1	1.4	2.1	0.85	0.93	1.48	0.93	1.48

★备注: 1.若需要其它规格, 敬请来电联系 2.如若我以上规格产生变动, 请恕不再另行通知。

Remark: 1.If any specifications else you required are not listed above, Please contact us 2.The specifications are subject to change without notice.

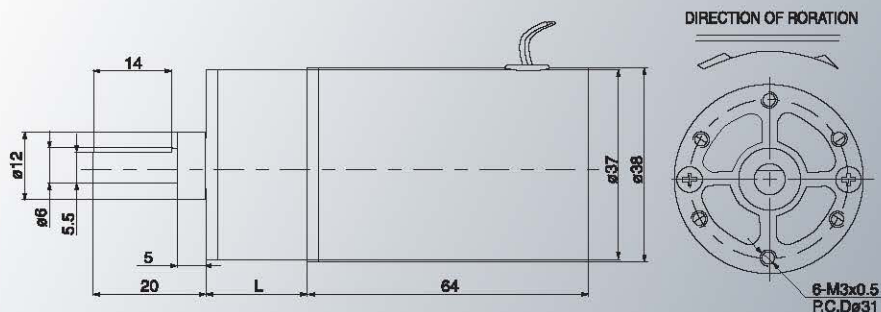
ZGB37RH



■技术参数 Technical Data

电压 Voltage(VDC)	12V	12V	12V	12V	12V	24V	24V	24V	24V	24V
马达型号 Motor Model	30H	53H	37H	53H	60H	37H	53H	37H	53H	60H
减速比 Reduction Ratio	1/171	1/171	1/64	1/51	1/31	1/171	1/171	1/64	1/51	1/31
齿轮箱长度 Gearbox Length(mm)	29.5	29.5	26.5	26.5	24.5	29.5	29.5	26.5	26.5	24.5
空载转速 No-Load Speed(Rpm)	15	30	60	100	200	20	30	60	100	200
额定转速 Rated Speed(Rpm)	10.5	21	42	70	140	14	21	42	70	140
额定力矩 Rated Torque(Kg.cm)	15	15	10.8	12.1	0.69	15	15	10.7	13.5	9.0
额定电流 Rated Current(Amp)	1.4	2.1	1.4	2.1	2.5	0.93	1.48	0.93	1.48	1.5

ZGA37REE



■技术参数 Technical Data

电压 Voltage(VDC)	24V	24V	24V
马达型号 Motor Model	30EE	30EE	30EE
减速比 Reduction Ratio	1/139	1/60	1/31.6
齿轮箱长度 Gearbox Length(mm)	29.5	26.5	24.5
空载转速 No-Load Speed(Rpm)	20	50	95
额定转速 Rated Speed(Rpm)	14	35	66.5
额定力矩 Rated Torque(Kg.cm)	9.03	5.75	2.85
额定电流 Rated Current(Amp)	0.31	0.31	0.31

★备注: 1.若需要其它规格, 敬请来电联系 2.如若我以上规格产生变动, 请恕不再另行通知。

Remark: 1.If any specifications else you required are not listed above, Please contact us 2.The specifications are subject to change without notice.